

### MAIN APPLICATIONS

- Plastic extrusion, injection, blow moulding, thermoforming
- Packing and packaging
- Chemical and pharmaceutical industry
- Industrial electric furnaces
- Dryers for ceramics and construction elements
- Food industry processing plants
- Heating systems with infrared lamps (long, medium, short wave)
- Wood binding machines
- Medium and long wave infrared lamps



### MAIN FEATURES

- Ultra-compact dimensions from 15A to 120A
- Load voltage 480V, 600V AC
- DIN rail and panel mounting
- IO-Link digital communication
- Zero voltage crossing (ZeroCrossing) or Phase angle control.
- On/Off control, optimised/fix cycle time, HalfSingleCycle, PhaseAngle, soft-start ramps.
- Input command from V DC, Analogue signal (0..5V, 0..10V, 0..20mA, 4..20mA, potentiometer) or IO-Link logic.
- Connectors for push-in control signals; signal LED.
- Configuration and diagnostics via smartphone app with NFC technology.
- Alarm threshold calibration by button or digital input.
- Compact versions with expanded i<sup>2</sup>t.
- Cage clamps for power cables
- Advanced diagnostic option with partial load break (up to 8 loads in parallel), current measurement and energy meters.
- Internal over voltage protection
- Integrated cooling fan power option.

## PROFILE

The correct management of electric heaters and infrared lamps for industrial heating applications requires robust, safe, fast and diagnostic-capable static contactors.

The range of solid state contactors with heatsink GRP-H meets all these needs, with current ratings from 15 to 120 Ampere, voltages up to 600Vac, in extremely compact dimensions in every single size. The thermal design of all models guarantees the continuous supply of the rated current at an ambient temperature of 40°C / 104°F through high efficiency heat sinks, assisted by fans for the 90A and 120A models. The derating curves show how higher current values can also be obtained for lower temperatures as well as the possibility of mounting various devices stacked on the DIN rail.

### CONFIGURATION AND DIAGNOSTICS

For the configuration of the GRP-H series devices, an App is available for smartphones with Android and iOS operating systems, which can be downloaded free of charge from the relative stores. The App interfaces to the device via contactless NFC (Near Field Communication) technology via a small NFC Dongle (which can be ordered as part of the device or as an accessory).

It is also possible to read diagnostic data on the operation of the load and the device (energy meters, current peaks or over-temperatures), duplicate or share the configurations of multiple devices through this interface.

**The IO-Link interface guarantees efficient communication, capable of powering, configuring, monitoring and controlling the device, via only 3 wires.** Complete and simple device configuration is possible with IODD files.

The devices can also be configured using a special cable via PC and the GF\_eXpress configuration tool. Alternatively, basic device configuration is made available by means of a button and LED on the front. The current thresholds for partial load break alarms can be adjusted by means of a front key or digital input, so that multiple objects can be configured at the same time with the electrical panel closed.

### CONTROL

The GRP-H series can be controlled in three different ways based on the options chosen:

1. Logic signals in V DC, OnOff mode.

2. Analogue signal configurable as 0..5V, 0..10V, 0..20mA, 4..20mA and potentiometer, for proportional commands (Burstfiring, FixedCycleTime, HalfSingleCycle, PhaseAngle).

3. Control via the IO-Link point-to-point communication protocol for comprehensive process diagnostics.

All commands are managed via push-in connectors, for faster and easier connection, even without tools. The device status is always displayed by a multi-colour LED on the front panel, for an immediate view of its operation. In the event of an error in the command signal, a fault power can be programmed which the device will maintain until the signal is restored.

### POWER CONNECTIONS

Both the line voltage terminal available on the upper part of the device and the load terminal on the lower part are of the "cage" type, which offers the best and safest seal even for cables of different cross-sections, whether mounted with a cable lug or simply stripped.

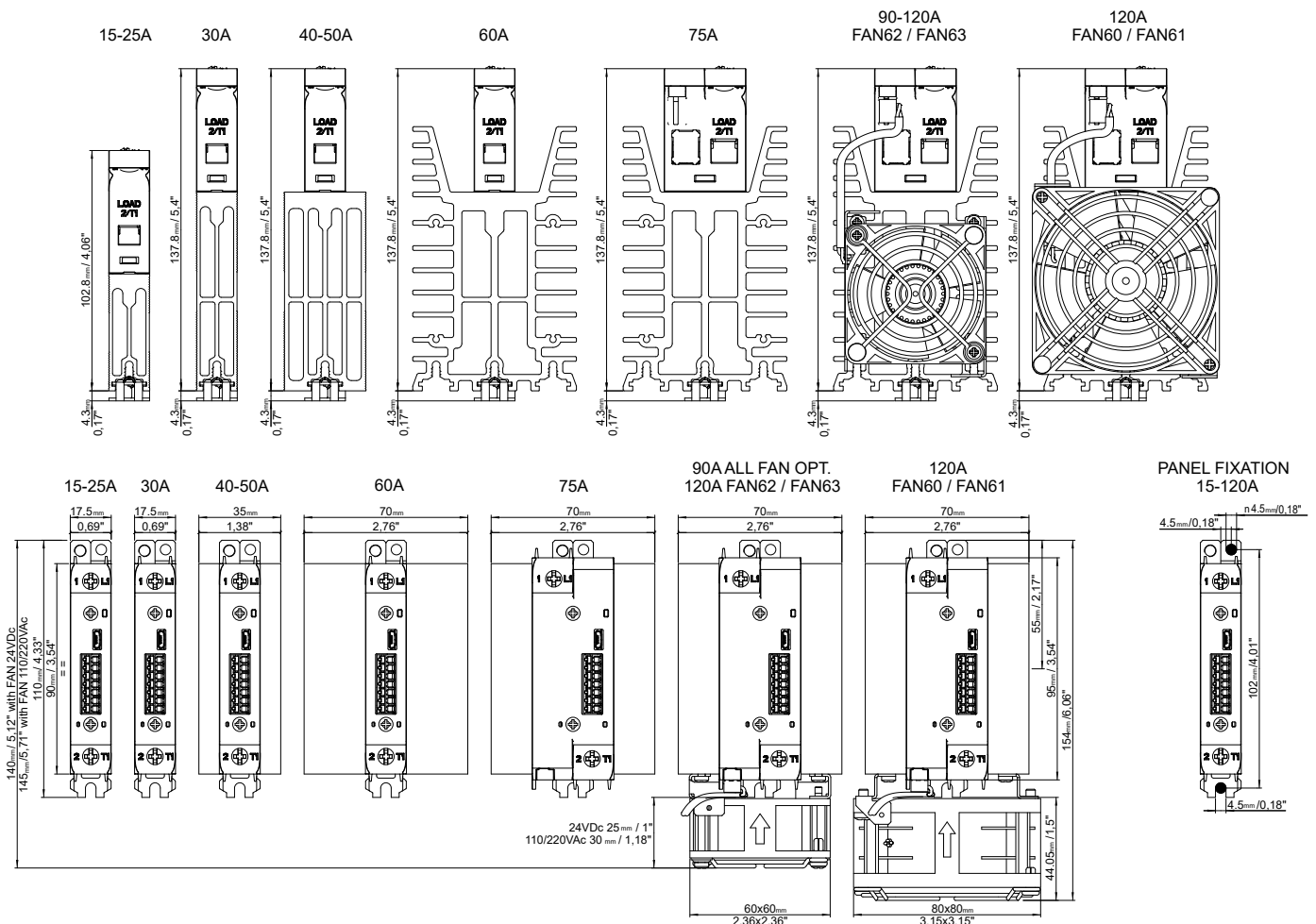
### DIAGNOSTICS AND ALARMS

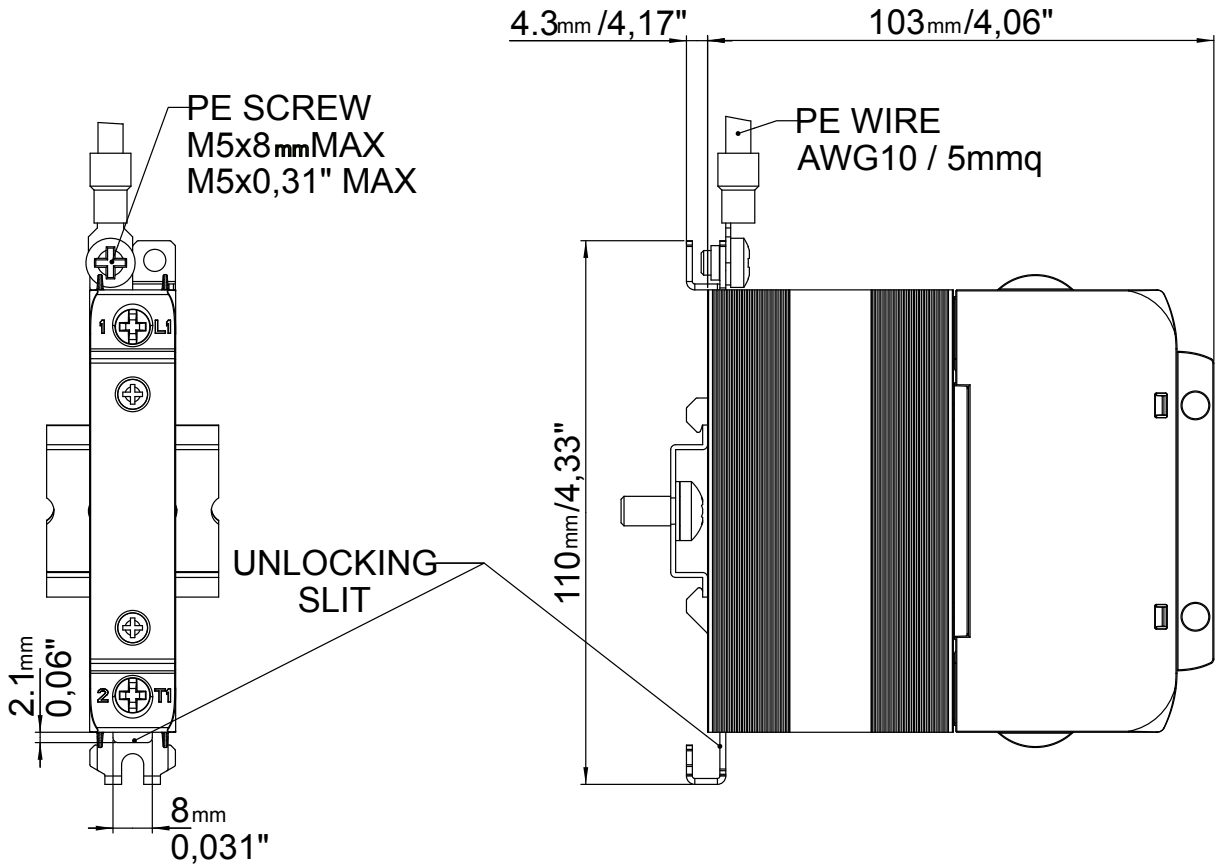
It is increasingly vital for operators and maintainers to recognize possible anomalies in the system immediately and solve them quickly in order to ensure the efficiency and profitability of machinery and plants. The GRP-H series offers complete availability of load information.

The physical alarm output, PNP type, is ready to diagnose partial or total load breaks, lack of voltage on the load and over-temperature (configurable output). The thermal alarm is triggered if heat dissipation exceeds a critical threshold, signalling it with a red led on the front panel, interrupting the power supply and triggering the alarm output.

This function is always present, on all current sizes.

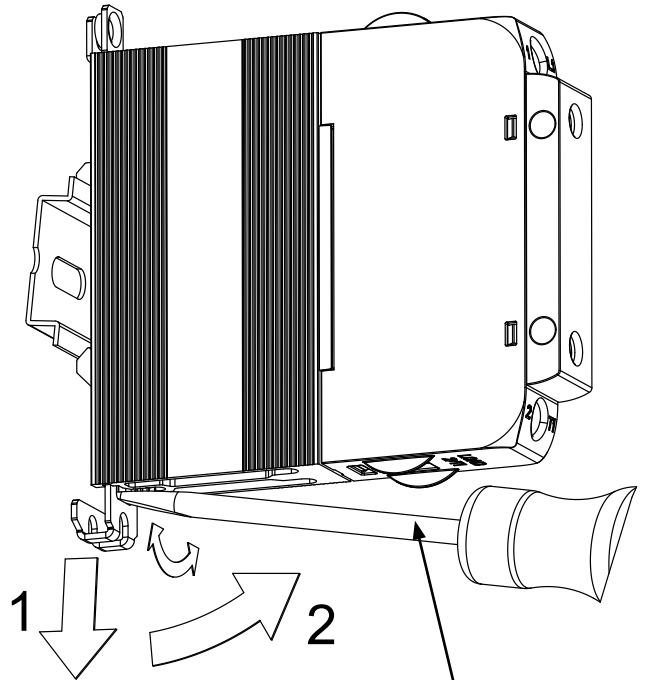
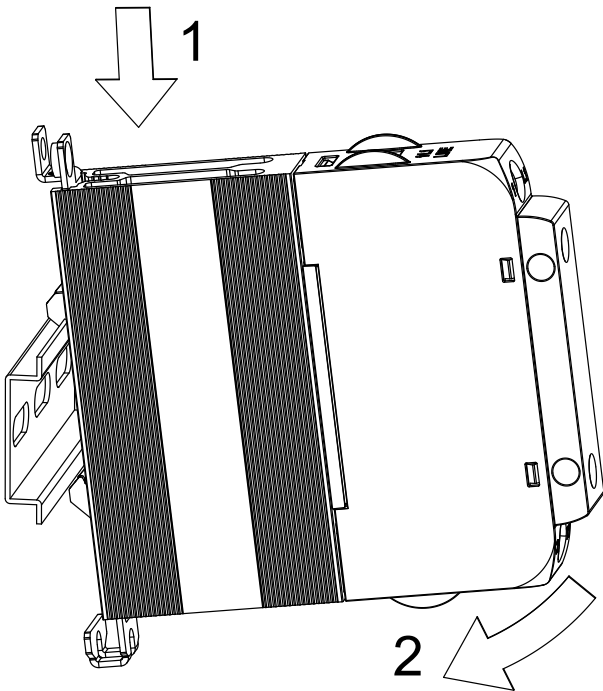
## DIMENSIONS AND MOUNTING MEASUREMENTS





DIN rail coupling sequence

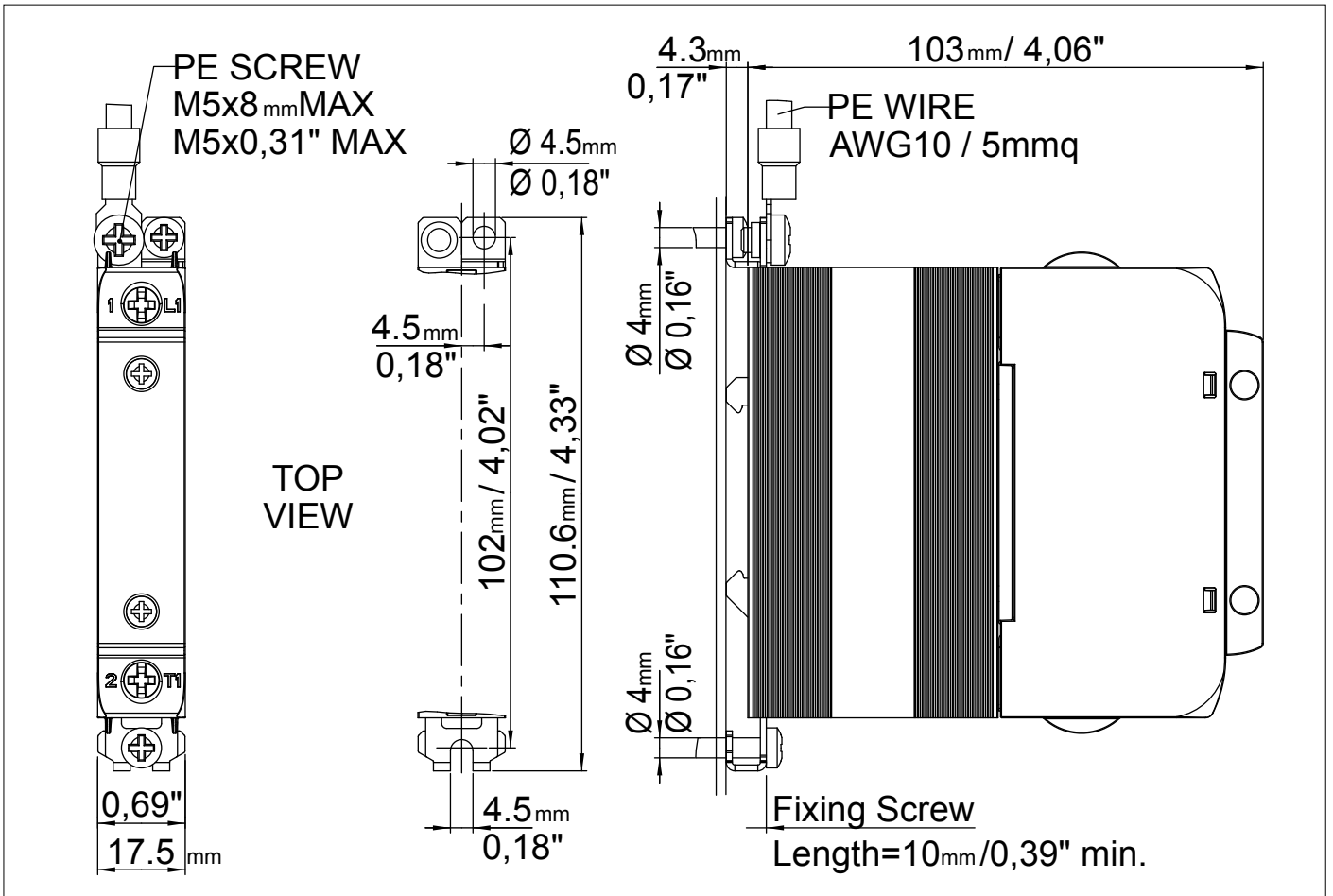
DIN rail release sequence



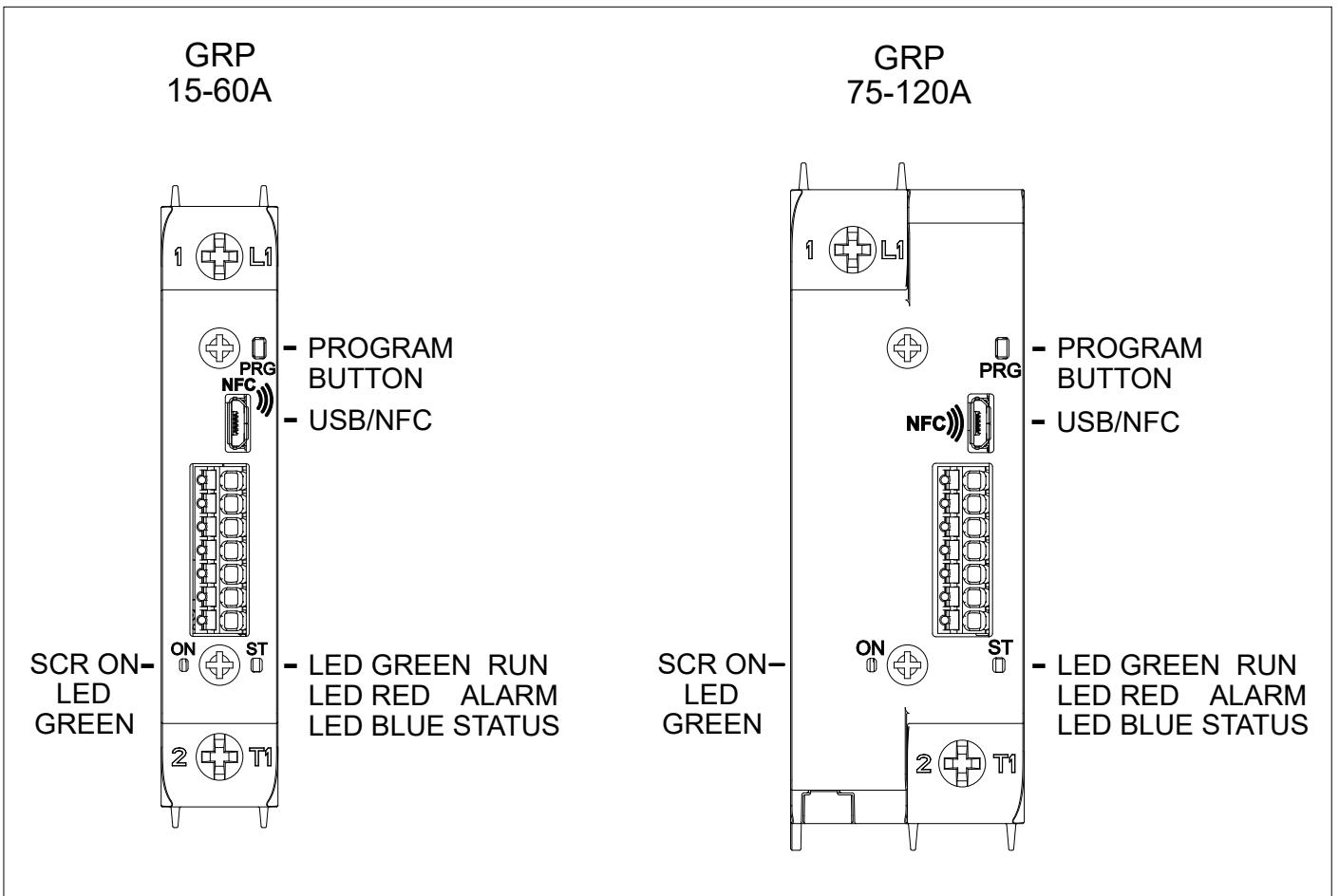
SCREW DRIVER (\*)

(\*) Use of a slotted screwdriver with a max. diameter of 6mm is recommended

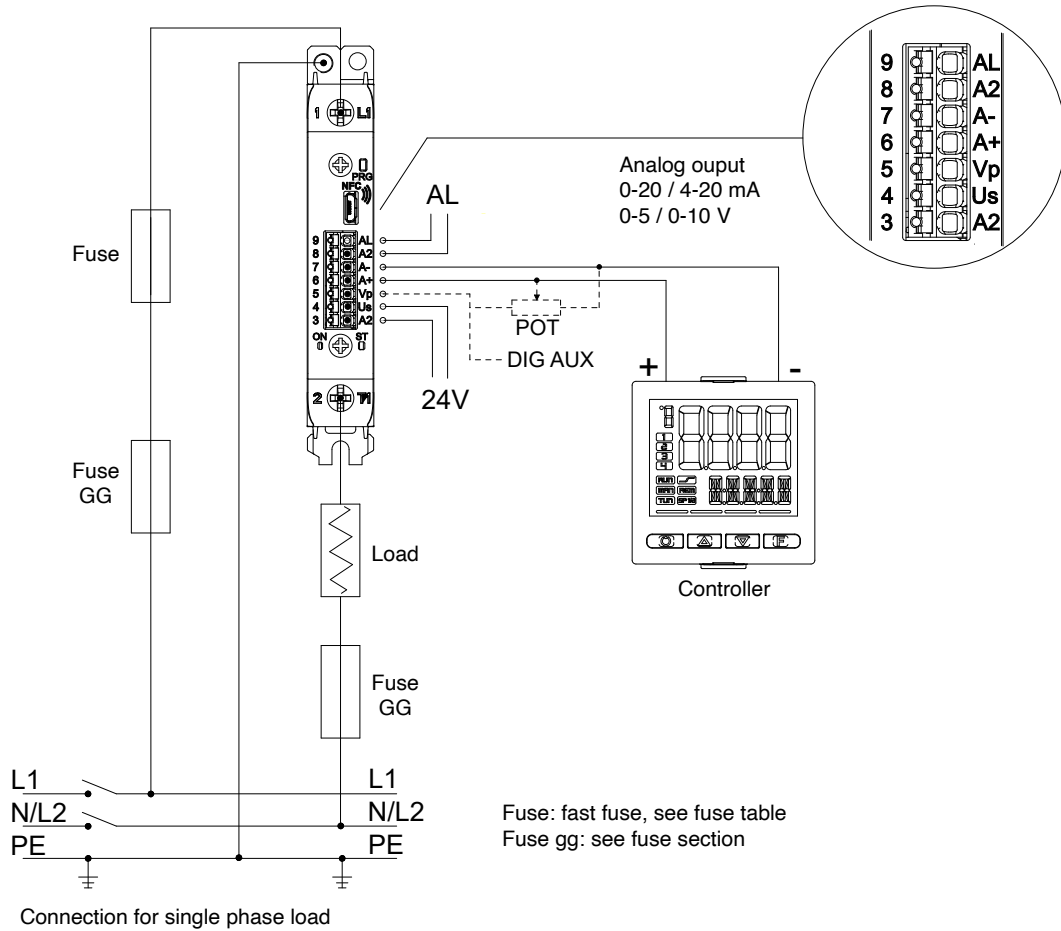
**PANEL FIXING**



**FRONT VIEW**

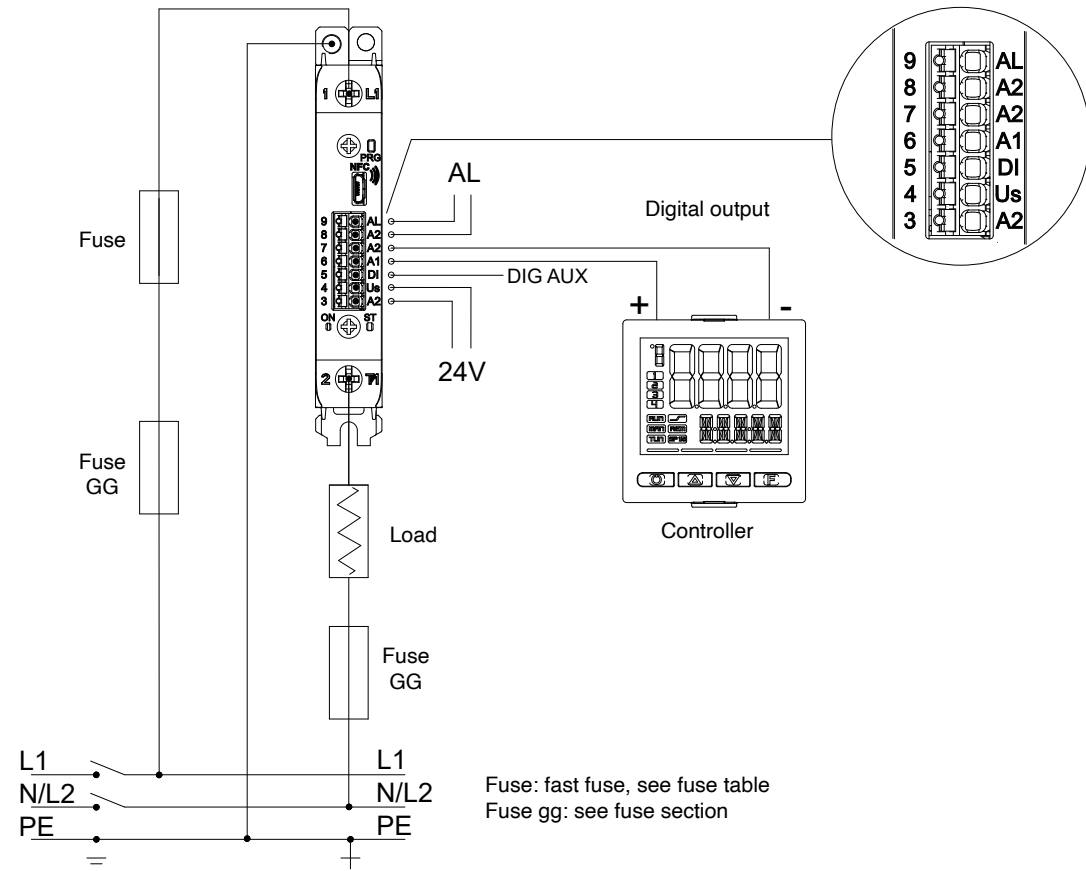


VERSION WITH ANALOGUE INPUT



| Power terminals                              |  |   |
|--|--|---|
| Ref.   | Description  | Notes   |
| 1/L1   | Line Connection  |   |
| 2/T1   | Load Connection  |   |
| AN version signal connector (analogue input) |  |   |
| 3/A2-  | Power GND  |   |
| 4/Us   | + V DC power supply  | GRP-H power supply (Range from 10 to 30 V DC, I <sub>max</sub> = 20 mA at 24V)<br>GRP-H-90 ..120A-..FAN63: GRP-H + Fan power supply (Range from 20 to 27 V DC, I <sub>max</sub> <150 mA at 24V with Fan active) |
| 5/Vp   | Potentiometer power supply output (+ 5Vdc) / Auxiliary digital input | Potentiometer output voltage: 5V DC, I <sub>out</sub> max = 10mA<br>Digital input: 5-30V max 3 mA   |
| 6/A+   | Analogue differential command input                                  |   |
| 7/A-   |  |   |
| 8/A2-  | GND alarm output (common to terminal 3/A2-)                          |   |
| 9/AL   | Alarm output   | PNP output normally not active (Configurable as normally active)<br>output voltage: U <sub>s</sub> - 0.7V DC , I <sub>out</sub> max =15mA   |

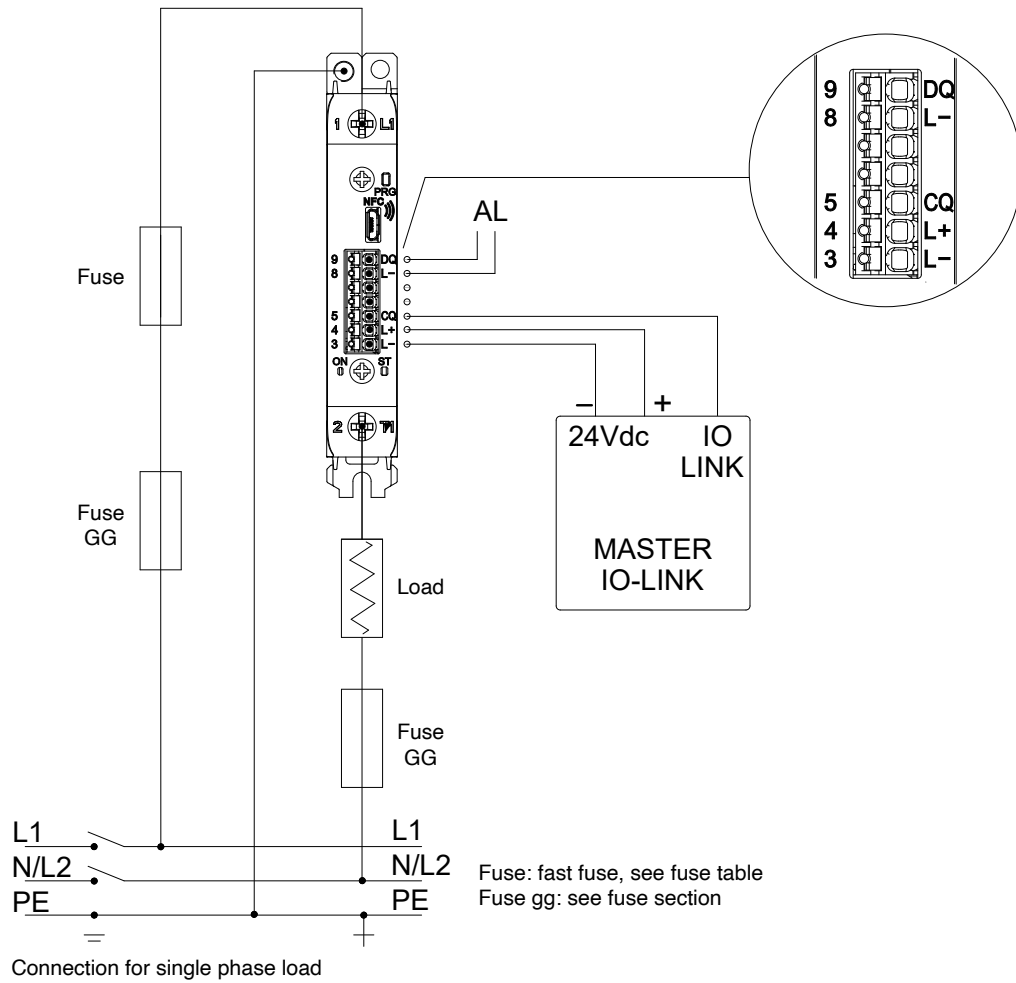
VERSION WITH DIGITAL INPUT



Connection for single phase load

| Power terminals                                      |  |   |
|--|--|---|
| Ref.   | Description                                  | Notes   |
| 1/L1   | Line Connection                              |   |
| 2/T1   | Load Connection                              |   |
| Connettore di segnale versioni D (ingresso digitale) |  |   |
| 3/A2-  | Power GND                                    |   |
| 4/Us   | + V DC power supply                          | GRP-H power supply (Range from 10 to 30 V DC, I <sub>max</sub> = 20 mA at 24V)<br>GRP-H-90..120A-.FAN63: GRP-H + Fan power supply (Range from 20 to 27 V DC, I <sub>max</sub> <150 mA at 24V with Fan active) |
| 5/DI   | Auxiliary digital input                      | Digital input: 5-30V max 3 mA   |
| 6/A1+  | Command digital input                        | Digital input: 5-30V max 3 mA   |
| 7/A2-  | GND command input (common to terminal 3/A2-) |   |
| 8/A2-  | GND alarm output (common to terminal 3/A2-)  |   |
| 9/AL   | Alarm output                                 | PNP output normally not active (Configurable as normally active)<br>output voltage: U <sub>s</sub> - 0.7V DC , I <sub>out</sub> max =15mA   |

VERSION WITH IO-LINK INPUT

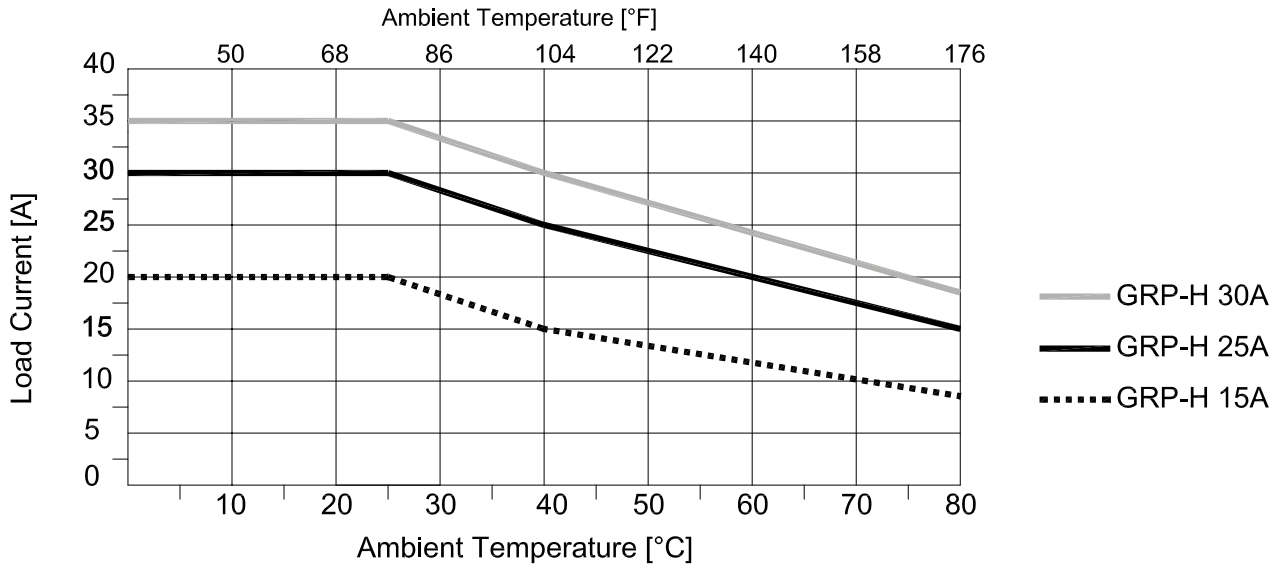


| Power terminals (common to all versions) |  |   |
|--|--|---|
| Ref.                                     | Description                                | Notes   |
| 1/L1                                     | Line Connection                            |   |
| 2/T1                                     | Load Connection                            |   |
| I version signal connector (IO-LINK)     |  |   |
| 3/L-                                     | Power GND                                  |   |
| 4/L+                                     | + V DC power supply                        | GRP-H power supply (Range from 10 to 30 V DC, I <sub>max</sub> = 20 mA at 24V)<br>GRP-H-90..120A..FAN63: GRP-H + Fan power supply (Range from 20 to 27 V DC, I <sub>max</sub> <150 mA at 24V with Fan active) |
| 5/C/Q                                    | IO-LINK communication line                 |   |
| 8/L-                                     | GND alarm output (common to terminal 3/L-) |   |
| 9/DQ                                     | Alarm output                               | PNP output normally not active (Configurable as normally active)<br>output voltage: U <sub>s</sub> - 0.7V DC , I <sub>out</sub> max =15mA   |

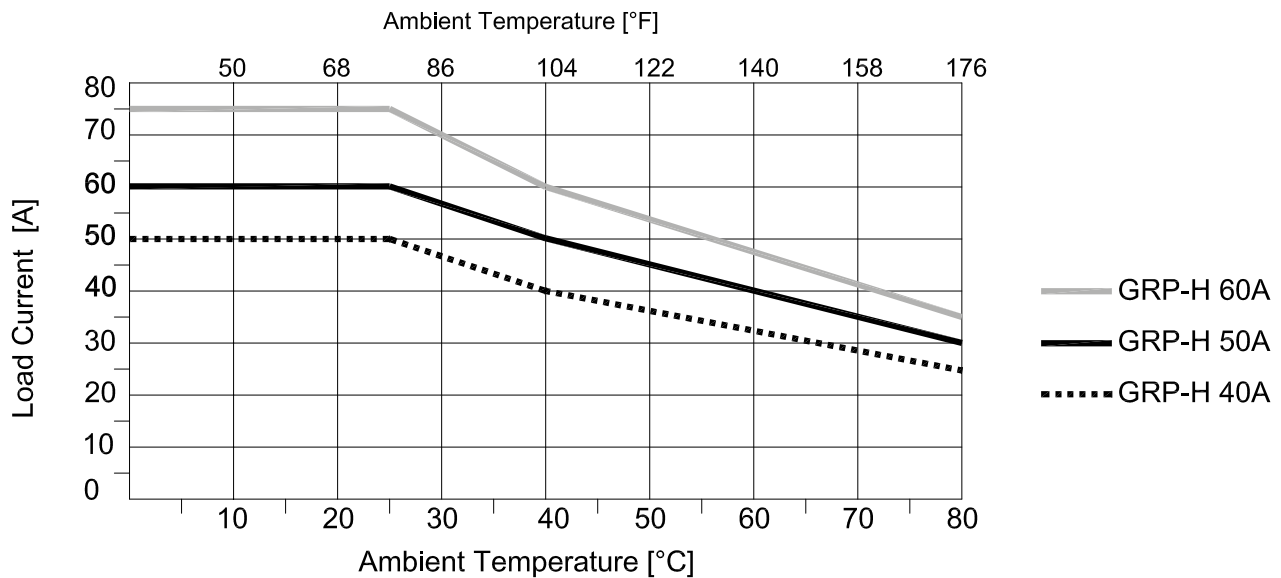
## DERATING CURVES

Rated current curves as a function of ambient temperature (minimum distance between GRP-H of 20mm).

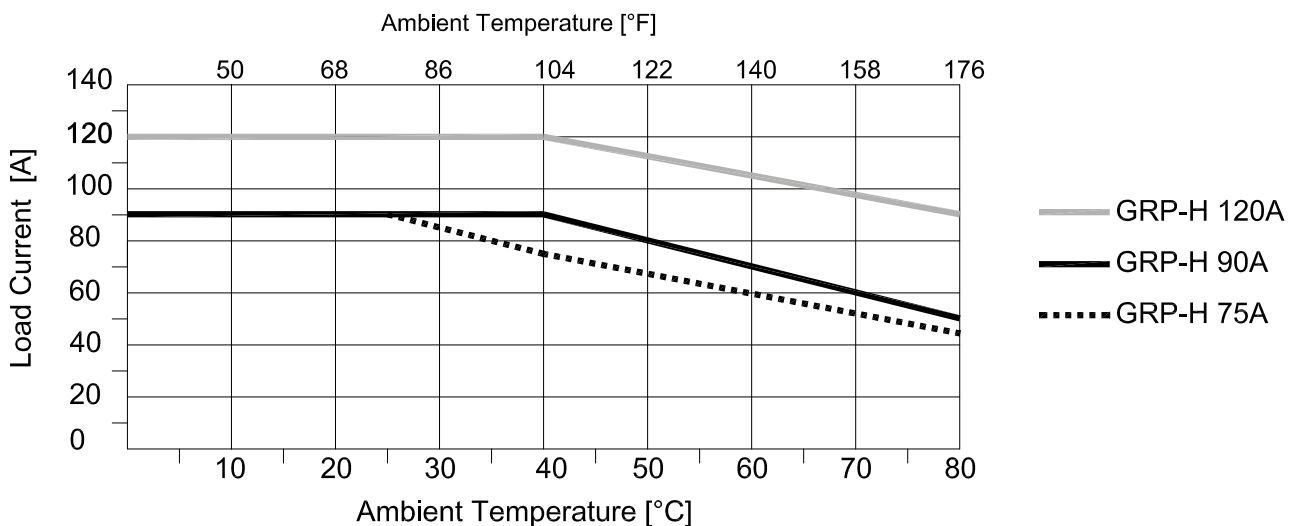
### GRP-H 15 ÷ 30A DERATING CURVES



### GRP-H 40 ÷ 60A DERATING CURVES



### GRP-H 75 ÷ 120A DERATING CURVES



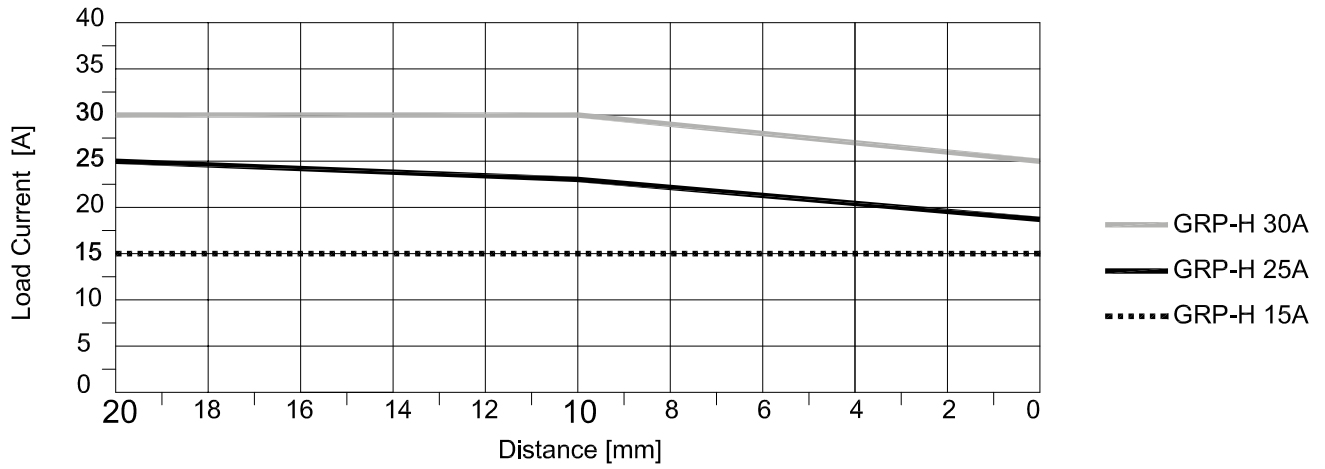
Note: The curves of GRP-H 90/120A refer to the device complete with a working specified fan



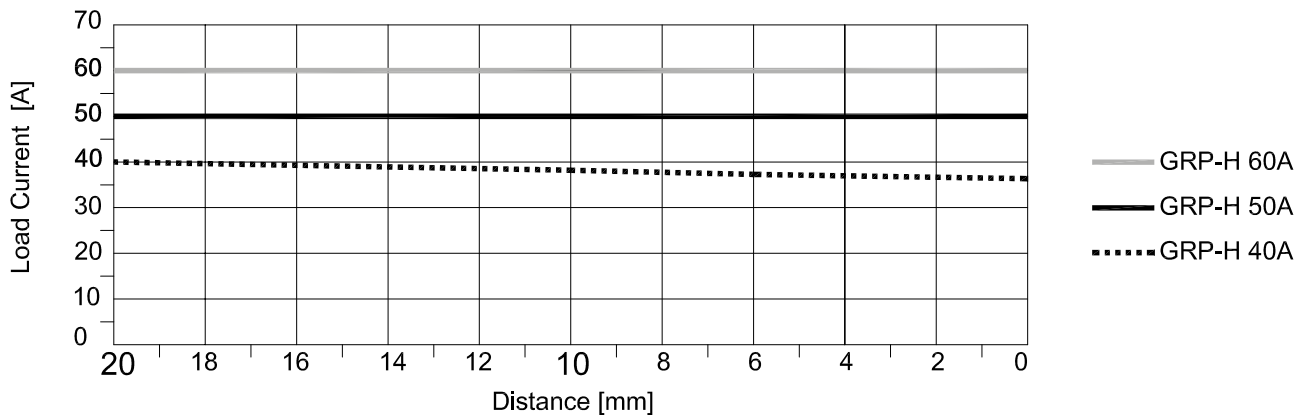
## DOWNGRADE WITH INSTALLATION DISTANCE

Rated current curves as a function of the horizontal distance between the GRP-Hs (ambient temperature 40°C / 104°F).

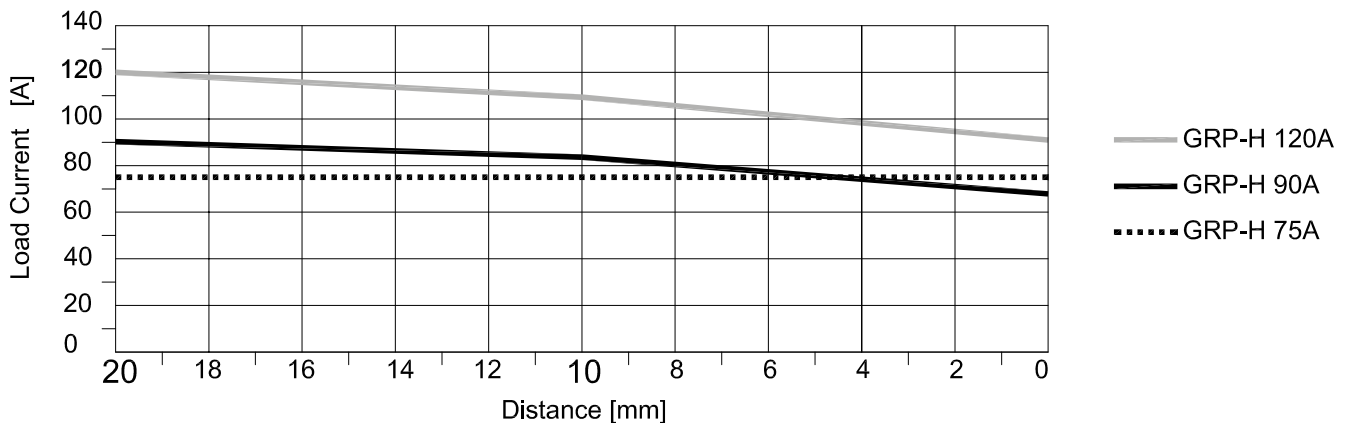
### GRP-H 15 ÷ 30A DERATING CURVES



### GRP-H 40 ÷ 60A DERATING CURVES



### GRP-H 75 ÷ 120A DERATING CURVES



Note: The curves of GRP-H 90/120A refer to the device complete with a working specified fan

## TECHNICAL SPECIFICATIONS

| <b>INPUTS</b>   |   |
|---|---|
| <b>Analogue command input (Versions with AN input type)</b> |   |
| Function  | Command power command   |
| Maximum Error   | 1% f.s. $\pm$ 1 scale point at an ambient temperature of 25°C / 77°F  |
| Thermal shift   | <100 ppm/° C on f.s.  |
| Sampling time   | 10 ms   |
| 0-10V scale   | Input impedance > 500 K $\Omega$  |
| 0-5V scales   | Input impedance > 500 K $\Omega$  |
| 0-20mA or 4-20mA scale                                      | Internal Shunt Resistance: 250 $\Omega$   |
| Potentiometer input   | Potentiometer resistance: 1 K $\Omega$ at 47 K $\Omega$<br>Potentiometer power supply: + 5V (provided by GRP, max 10mA)   |
| Linear input reading scale                                  | 0 ... 100.0 %   |
| Common mode immunity  | -60V, +60V  |
| <b>Command digital input (Versions with input type D)</b>   |   |
| Function  | Command input   |
| Voltage range   | 5-30V (max 3 mA)  |
| Safe voltage reading status "0"                             | < 2 V   |
| Safe voltage reading status "1"                             | > 5 V   |
| Input impedance   | 13 K $\Omega$   |
| <b>IO-LINK input (Versions with input type I)</b>           |   |
| Function  | IO-LINK fieldbus communication line   |
| Protocol  | IO-LINK<br>Type of transmission: COM2 (38.4 kBaud)<br>IO-Link version: 1.1.2<br>SIO mode: No<br>Auxiliary output: Pin DQ Alarm output   |
| <b>Line voltage and load current measurement</b>            |   |
| Load current measurement function                           | Measurement range (full-scale f.s.): 0 ... 1.5 * Irated_product   |
| RMS current measurement accuracy                            | 2% f.s. at room temperature of 25°C / 77°F<br>Thermal shift: <200 ppm/° C   |
| Line voltage measurement function                           | Working voltage range (full-scale f.s.): 60...660Vac  |
| RMS voltage measurement accuracy                            | 2% f.s. at room temperature of 25°C / 77°F<br>Thermal shift: <100 ppm/° C   |
| Current and voltage sampling time                           | 10 ms   |
| Line frequency  | 50/60 Hz  |
| <b>OUTPUTS</b>  |   |
| <b>Alarm output (optional)</b>                              |   |
| Function  | Configurable alarm output   |
| Type  | The alarm output is PNP type (not protected against short circuit)<br>(output voltage = Us - 0.7Vdc, Iout max. = 15mA)  |
| <b>COMMUNICATIONS PORTS</b>                                 |   |
| <b>Porta microUSB di servizio</b>                           |   |
| Functions with TTL serial cable                             | Only for initial product configuration, via PC.<br>Use a PC connected to the GRP, ONLY via the Gefran adapter cable. The adapter powers the GRP.<br>Cod. F060800 (PC with USB).   |
| Type  | Micro USB type B connector  |
| Insulation  | TTL serial NOT isolated   |
| Funzione Dongle NFC:  | Disponibile per la configurazione, lettura di Informazioni sul prodotto e dati di diagnostica. Utilizzare App scaricabile da PlayStore ed AppleStore e Dongle NFC (vedi tabella accessori)  |
| <b>POWER (STATIC GROUP)</b>                                 |   |
| CATEGORY OF USE<br>(Tab. 2 EN60947-4-3)                     | AC 51: resistive or low-inductance loads<br>AC 55b: infrared lamps  |
| Trigger modes   | <b>OnOff</b> - Zero crossing firing.<br><b>FCT- Fixed Cycle Time</b> - Zero Crossing with constant cycle time (settable in the range 1...200 sec).<br><b>BF</b> - Burst Firing with optimised minimum variable cycle time (Zero crossing firing).<br><b>HSC</b> - Half Single Cycle, corresponds to a Burst Firing which handles half on/off cycles (Zero crossing firing).<br><b>PA</b> - load management by adjusting the power-on phase angle.<br>It is useful for reducing flicker with short-wave infrared loads.<br><b>Softstart</b> ramp in Phase Angle configurable with any configured Firing mode, only for products with Trigger option = 2 or 3 . |

|   |   |           |       |      |       |      |       |                  |       |       |       |  |
|---|---|-----------|-------|------|-------|------|-------|------------------|-------|-------|-------|--|
| Max. rated voltage  | 480 V AC  | 600 V AC  |       |      |       |      |       |                  |       |       |       |  |
| Working voltage range   | 60-530Vac   | 60-660Vac |       |      |       |      |       |                  |       |       |       |  |
| Non-repetitive voltage<br>(Surge protection level)              | 1200 Vp   | 1400 Vp   |       |      |       |      |       |                  |       |       |       |  |
| Rated frequency   | 50/60Hz with auto-determination   |           |       |      |       |      |       |                  |       |       |       |  |
| Rated current   | GRP Model   |           |       |      |       |      |       |                  |       |       |       |  |
|   | 15  | 25        | 25I   | 30   | 30I   | 40   | 50    | 60               | 75    | 90    | 120   |  |
|   | 15A   | 25A       | 25A   | 30A  | 30A   | 40A  | 50A   | 60A              | 75A   | 90A   | 120A  |  |
| Non-repetitive over-current,<br>(t=20 msec)                     | 620A  | 620A      | 1600A | 620A | 1600A | 620A | 1600A | 1600A            | 1600A | 1500A | 1500A |  |
| I <sup>2</sup> t for melting (t = 1... 10msec) A <sup>2</sup> s | 1800  | 1800      | 12800 | 1800 | 12800 | 1800 | 12800 | 12800            | 12800 | 11250 | 11250 |  |
| critical dv/dt with output disabled                             | 1000 V/μs   |           |       |      |       |      |       |                  |       |       |       |  |
| Rated impulse withstand voltage                                 | 4kV   |           |       |      |       |      |       |                  |       |       |       |  |
| Rated current in short circuit condition                        | 5kA   |           |       |      |       |      |       |                  |       |       |       |  |
| Corrente di carico minima:                                      | 150 mA  |           |       |      |       |      |       |                  |       |       |       |  |
| Caduta di tensione sulla corrente nominale:                     | = < 1,2Vrms   |           |       |      |       |      |       |                  |       |       |       |  |
| Presenza di corrente di dispersione:                            | < 3mA<br>(Maximum value with nominal Voltage and Junction temperature of 125°C / 257°F)   |           |       |      |       |      |       |                  |       |       |       |  |
| <b>OPTIONS</b>  |   |           |       |      |       |      |       |                  |       |       |       |  |
| Basic Diagnostics on PNP digital output (Option 0)              | - Power failure for: SCR open / Load interrupted / No line voltage<br>- Overheating alarm   |           |       |      |       |      |       |                  |       |       |       |  |
| Advanced Diagnostics on digital output PNP (Option 1)           | - Power failure for: SCR open / Load interrupted / No line voltage<br>- Overheating alarm<br>SCR short circuit (current presence with OFF command).<br><br>HB (Heat Break) Alarm:<br>- HB alarm load interrupted or partially interrupted, up to 8 loads in parallel.<br>- Automatic calibration of the HB alarm threshold based on the current load level.<br><b>Note 1:</b> with Digital command turn ON minimum time = 50 ms to detect broken load.<br><b>Note 2:</b> in order to have right functioning of the option it is necessary the load current to be greater than 30% of GRP nominal current. |           |       |      |       |      |       |                  |       |       |       |  |
| <b>GENERAL CHARACTERISTICS</b>                                  |   |           |       |      |       |      |       |                  |       |       |       |  |
| Power supply  | 10... 30 V DC ± 10%, absorption 20 mA at 24 V DC<br>(Range from 20 to 27 V DC, I <sub>max</sub> <150 mA at 24V with Fan active)   |           |       |      |       |      |       |                  |       |       |       |  |
| Indications   | 2 leds:<br>ON (Green LED): Control status of the thyristor<br>STATUS (RGB LED): State of operation  |           |       |      |       |      |       |                  |       |       |       |  |
| Protection rating   | IP20  |           |       |      |       |      |       |                  |       |       |       |  |
| Working temperature   | 0...80°C (32 ... 176°F) (see derating curves)   |           |       |      |       |      |       |                  |       |       |       |  |
| Storage temperature   | -20°C - +85°C (-4 ... 185°F)<br>average temperature in a period of 24H not higher than 35°C (95°F)<br>(according to EN 60947-4-3 § 7.1.1)   |           |       |      |       |      |       |                  |       |       |       |  |
| Maximum relative humidity                                       | 90% non-condensing  |           |       |      |       |      |       |                  |       |       |       |  |
| Environmental conditions of use                                 | Indoor use, maximum altitude 2000m  |           |       |      |       |      |       |                  |       |       |       |  |
| Installation  | DIN EN50022 bar or panel mount by screws  |           |       |      |       |      |       |                  |       |       |       |  |
| Installation requirements                                       | Installation category II, pollution degree 2<br><br>Maximum air temperature around the device 40°C / 104°F (for Temperature > 40°C / 104°F see derating curves)   |           |       |      |       |      |       |                  |       |       |       |  |
| Weight  | GRP-H 15, 25A, 25I  |           |       |      |       |      |       | 194 g / 6.84 Oz  |       |       |       |  |
|   | GRP-H 30A, 30I  |           |       |      |       |      |       | 237 g / 8.36 Oz  |       |       |       |  |
|   | GRP-H 40, 50A   |           |       |      |       |      |       | 388 g / 16.69 Oz |       |       |       |  |
|   | GRP-H 60, 75A   |           |       |      |       |      |       | 688 g / 24.27 Oz |       |       |       |  |
|   | GRP-H 90A   |           |       |      |       |      |       | 796 g / 28.09    |       |       |       |  |
|   | GRP-H 120A  |           |       |      |       |      |       | 796 g / 28.09    |       |       |       |  |

## EXTRARAPID FUSES

| Model              | Fuse manufacturer               | Fuse Model size    |
|--------------------|---------------------------------|--------------------|
| GRP-H 15           | Bussmann Div Cooper (UK) Ltd    | FWC16A10F 10x38    |
| GRP-H 25/25I       | Bussmann Div Cooper (UK) Ltd    | FWC25A10F 10x38    |
| GRP-H 30/30I       | Bussmann Div Cooper (UK) Ltd    | FWP40A14F 14x51    |
| GRP-H 40           | Bussmann Div Cooper (UK) Ltd    | FWP40A14F 14x51    |
| GRP-H 50           | Bussmann Div Cooper (UK) Ltd    | FWP63A22F 22x58    |
| GRP-H 60, GRS-H 75 | Bussmann Div Cooper (UK) Ltd    | FWP80A22F 22x58    |
| GRP-H 90           | Bussmann Div Cooper (UK) Ltd    | FWP100A22F 22x58   |
| GRP-H 120          | Bussmann International Inc. USA | 170M1418 000-TN/80 |

## GG FUSES

An electrical protection device known as a GG FUSE must be used to ensure protection against short-circuit of the electrical cable (see EN 60439-1, paragraph 7.5 Short-circuit protection and short-circuit withstand strength" and 7.6 "Switching devices and components installed in ASSEMBLIES", or the equivalent paragraphs of standard EN 61439-1).

## EMC STANDARDS

### EMC emissions

|   |                                      |                 |
|---|--------------------------------------|-----------------|
| AC semiconductor motor controllers and conductors for non-motor loads                                 | EN 60947-4-3                         | Class A Group 2 |
| Emission enclosure CI compliant in firing mode single cycle and phase angle if external filter fitted | EN 60947-4-3<br>CISPR-11<br>EN 55011 |                 |

### EMC Immunity

|  |   |  |
|--|---|--|
| Generic standards, immunity standard for industrial environments | EN 60947-4-3  |  |
| ESD immunity   | EN 61000-4-2  | 4 kV contact discharge<br>8 kV air discharge   |
| RF interference immunity   | EN 61000-4-3 /A1  | 10 V/m amplitude modulated 80 MHz-1 GHz<br>10 V/m amplitude modulated 1.4 GHz-2 GHz              |
| Conducted disturbance immunity                                   | EN 61000-4-6  | 10 V/m amplitude modulated 0.15 MHz-80 MHz   |
| Burst immunity   | EN 61000-4-4  | 2 kV power line<br>2 kV I/O signal line  |
| Surge immunity   | EN 61000-4-4/5  | Power line-line 1 kV<br>Power line-earth 2 kV<br>Signal line-earth 2 kV<br>Signal line-line 1 kV |
| Magnetic fields immunity   | Test are not required. Immunity is demonstrated by the successfully completion of the operating capability test |  |
| Voltage dips, short interruptions and voltage immunity tests     | EN 61000-4-11   | 100%U, 70%U, 40%U  |

### LVD safety

|  |            |
|--|------------|
| Safety requirements for electrical equipment for measurement, control and laboratory use | EN 61010-1 |
|--|------------|

## CAUTION

This product has been designed for class A equipment. Its use in a domestic environment may cause radio interference, in which case the user may be required to use additional attenuation methods.

**EMC filters** are required in PA operating mode (Phase Angle, i.e., SCR triggering with a modulated phase angle). The filter model and current size depend on the configuration and the load used. It is important that the power filter is connected as close as possible to the GRP-H. A filter connected between the power supply line and the GRP-H or an LC unit connected between the GRP-H output and the load may be used.

## ORDER CODE

GRP-H - A - B - C - D - E - F - G - H - I

| Rated current |     |
|---------------|-----|
| 15Aac         | 15  |
| 25Aac         | 25  |
| 25Aac I2t++   | 25I |
| 30Aac         | 30  |
| 30Aac I2t++   | 30I |
| 40Aac         | 40  |
| 50Aac         | 50  |
| 60Aac         | 60  |
| 75Aac         | 75  |
| 90Aac         | 90  |
| 120Aac        | 120 |

| Rated voltage |    |
|---------------|----|
| 480Vac        | 48 |
| 600Vac        | 60 |

| Control type                       |      |
|------------------------------------|------|
| Digital with advanced diagnostics  | D-1  |
| Analogue with basic diagnostics    | AN-0 |
| Analogue with advanced diagnostics | AN-1 |
| IO-Link with advanced diagnostics  | I-1  |

| For models from 15 A to 76 A  |       |
|---|-------|
| None  | 0     |
| Ventola per modelli 90A/120A  |       |
| 230V AC 60x60x30mm for 90A models<br>230V AC 80x80x38mm for 120A models | FAN60 |
| 115V AC 60x60x30mm for 90A models<br>115V AC 80x80x38mm for 120A models | FAN61 |
| 24Vdc 60x60x25mm  | FAN62 |
| 24V DC 60x60x25mm integrated power supply                               | FAN63 |

**Note:**

**Basic diagnostics:** includes thermal safety, thermal alarm, total load break, no line voltage  
**Advanced diagnostics:** Basic diagnostics, current reading, partial load break.

### Future developments

| NFC Dongle accessory |                     |
|----------------------|---------------------|
| 0                    | Absent              |
| 1                    | NFC Dongle included |

| Trigger                        |   |
|--------------------------------|---|
| with D-1 type control          |   |
| 0                              | OnOff   |
| with AN-0 type control         |   |
| 1                              | Burst Firing<br>(optimised or fixed cycle time) |
| with AN-1 and I-1 type control |   |
| 1                              | Burst Firing<br>(optimised or fixed cycle time) |
| 2                              | Half Single Cycle<br>(configurable as 1-3)      |
| 3                              | Phase angle<br>(configurable as 1-2)            |

| Control terminal |         |
|------------------|---------|
| 0                | Push In |

CE Conformity Declaration is available on web site [www.gefran.com](http://www.gefran.com)



This device conforms to European Union Directive 2014/30/EU and 2014/35/EU as amended with reference to generic standards: **EN 61000-6-2** (immunity in industrial environment) **EN 61000-6-4** (emission in industrial environment) - **EN 61010-1** (safety regulations).



UL certification Pending

